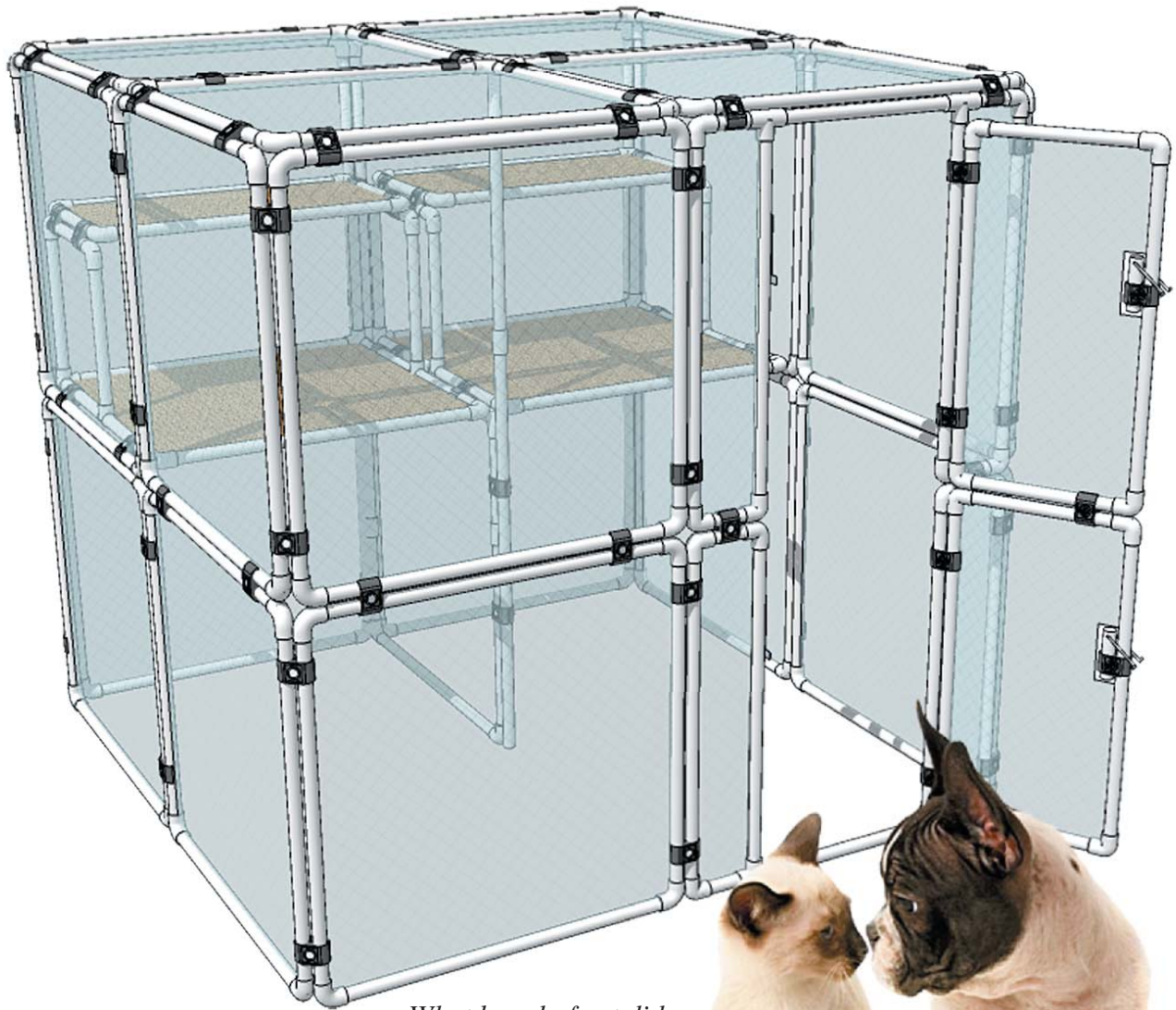
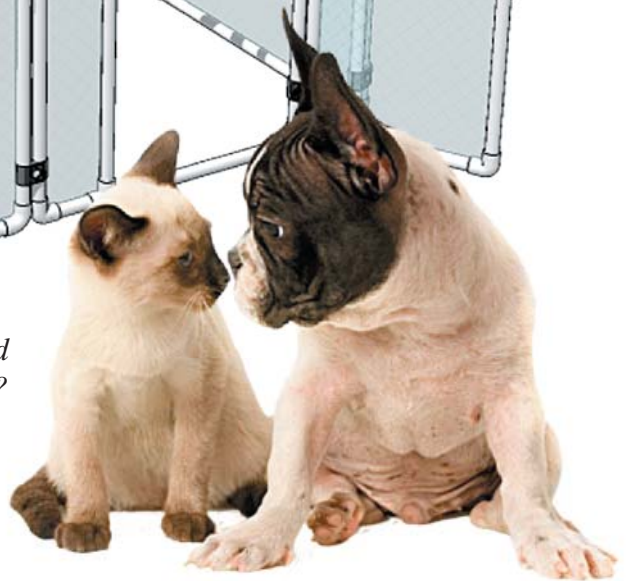


Cats On Deck



*er...What breed of cat did
you say you were..?*



Your kit is going to last a very long time!

Every component of the kit is designed for strength and durability. The panels are made of furniture grade PVC pipe with ultra violet (UV) inhibitors, wire screening that is galvanized after welding for superior strength and then dipped in vinyl. The wire is embedded into the panel frame on all four sides. The slip/Clamps are molded out of glass filled nylon (incredibly strong) and also have UV inhibitors. The carriage bolt and wing nuts are stainless steel to prevent rusting.

The following instructions are designed to make assembly of your kit a rather easy task. We suggest another person assist you as two people will make it significantly easier and much quicker. If for any reason you have difficulty during assembly, or a piece is missing, please call our TOLL FREE telephone number and someone will respond as quickly as possible. That number is:

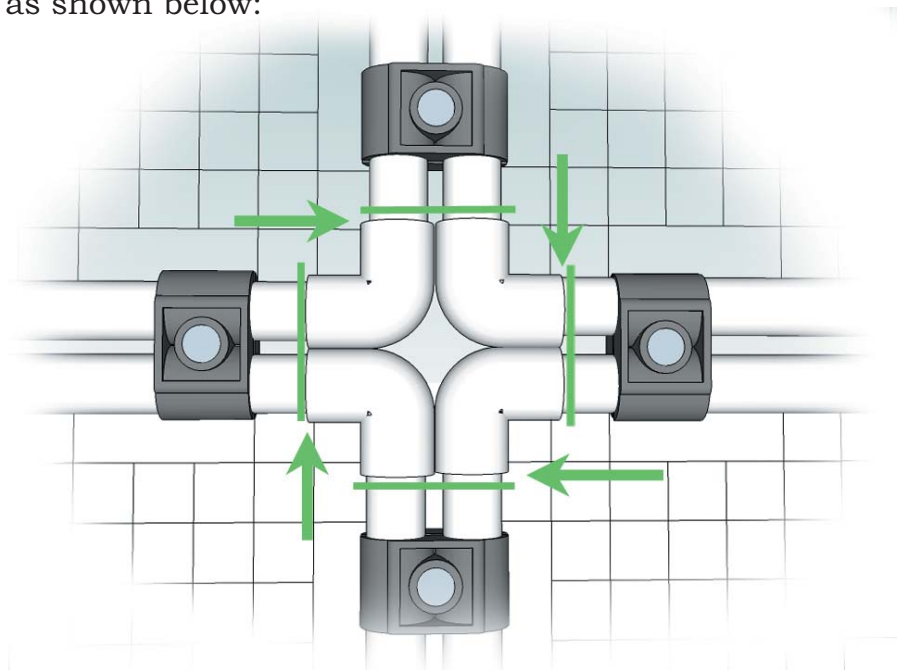
888-919-CATS
(2287)

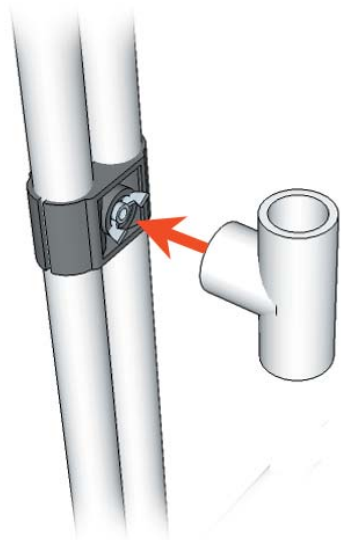
Whatever size kit you currently have, all our kits can be expanded to increase size and/or configuration by simply adding and changing panel placement. Your kit can grow as required or you may just desire to build a more interesting and fun enclosure for your pets!

We suggest you spend a few minutes and read through the entire manual in order to have a full understanding on what you'll be doing to assemble your kit, and then start back here to begin assembling your enclosure. You'll soon discover that this is not as difficult a project as it may seem at first glance.

NOTE!

When you place the panels together, they need to be aligned to ensure a strong and sturdy enclosure. Best way to do this is check to see that the corners are aligned as shown below:





We have provided a special tool to help you tighten the wing-nuts used on the clamps .

NOTE! If you have purchased a pet door access panel. Determine which of the bottom panels needs to be this panel and attach it during assembly of the enclosure walls. This panel attaches exactly the same as the plain screened panels.

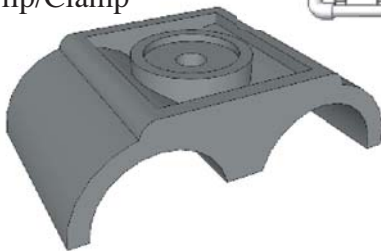
Following are the assembly tasks or events. They're numbered for easier reference.

1

Panel



slip/Clamp



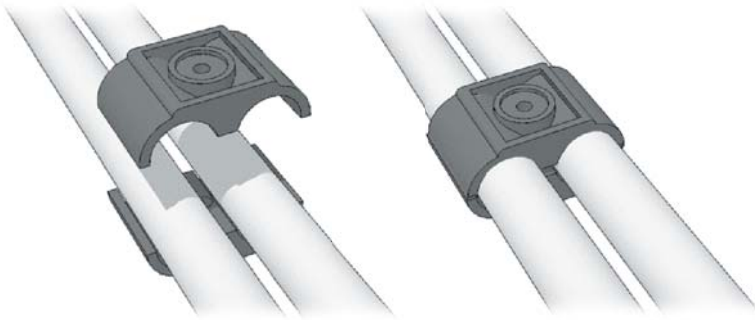
Carriage Bolt & Wing-nut



Assembly of the CatsOnDeck kits is nothing more than building a box using three key components:

- 1 - Panels
- 2 - slip/Clamps
- 3 - Carriage Bolts & Wing-nuts

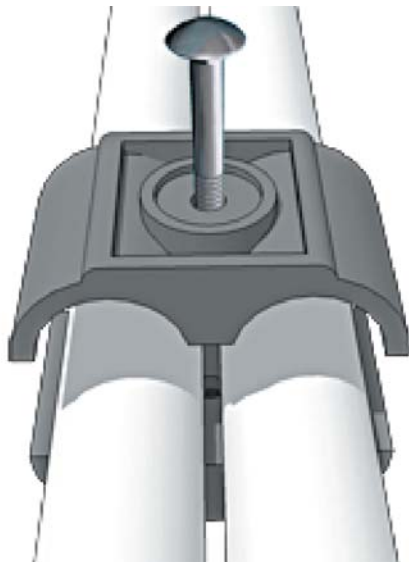
2



The slip/Clamps are a key component of the structural design.

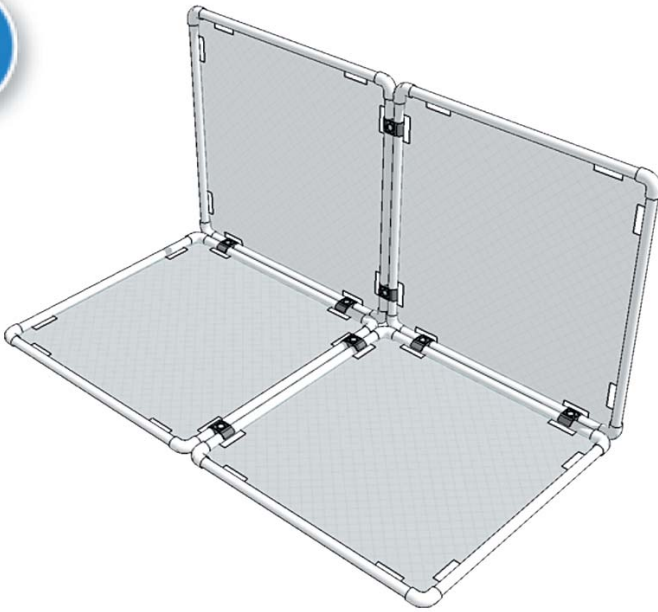
To attach a slip/Clamp, place a clamp on opposite sides of a panel frame and tightened together with a bolt and wing nut.

3



As you put your kit together you'll understand the advantage of our proprietary slip/Clamp.

10

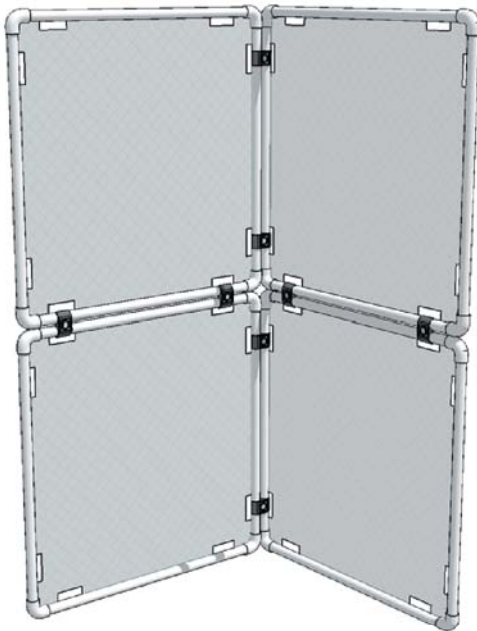


Once the clamps have been installed in the eight areas shown in event '7' and tightened by hand, lift one half (2 panels) 90 degrees straight up as shown at left.

NOTE!

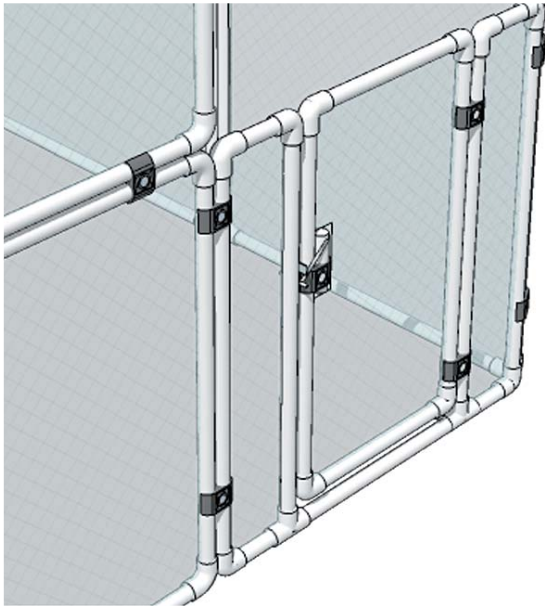
The cutouts in the wire screening allow us to place these panels at 45 degree angles. The wire would prevent the slip/Clamps from adjusting to accommodate the angle.

11



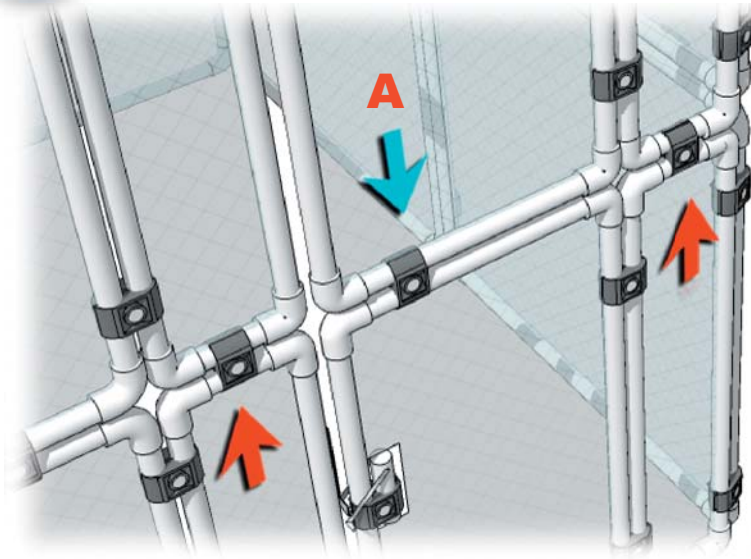
Tilt the assembly so it stands on its end. If it's too wobbly, then use our tool to tighten the wing-nuts enough to where you can still hinge these panels and it stands sturdily!

26



Take the door marked as the BOTTOM door and attach to the enclosure as shown. The doors attach just like a panel would. If the door doesn't swing because the edge hits the side - this typically means that the 45 degrees are way off along the corner vertical edges.

27



Attach the top door to the enclosure special 'above door' panel and sides and then to the bottom door at points shown by the RED arrows. If you want both doors to open at the same time for easier access, place one of the extra clamps supplied at point "A" - the BLUE arrow.